

WR 40

Version 1: WR 40-1 with 3 drawers

Version 2: WR 40-2 with 1 drawer and 1 filing drawer

Standard

- Semi-matt painted in standard RAL colour
- Central locking

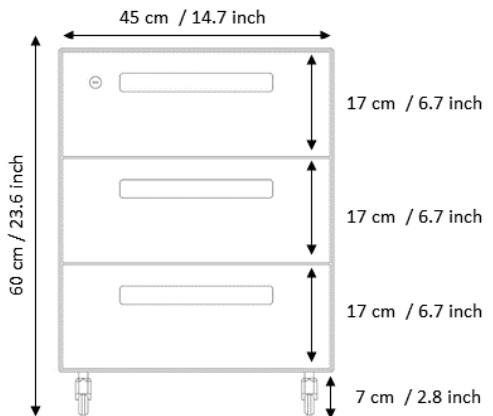
Optionally

- Individual choice of RAL colour
- Two-coloured finish (recessed grip)



Dimension

WR 40-1



WR 40-2

